

CSERIES
BY AUDIO SYSTEM

since 1988

AUDIO
SYSTEM

german sound

HIGH-PERFORMANCE CAR- AMPLIFIER

OWNER'S MANUAL



H-340.1 D
H-200.1
CO-650.1 D
CO-700.1 D 24 V

CE

Congratulation on your purchase of your new H + C-SERIES amplifier.

IMPORTANT: Before installation your power amplifier, we recommend to read the owner's manual carefully and to follow the instructions regarding connection and fitting exactly.

ATTENTION: Pay attention to advices and instructions of the car manufacturer.

IMPORTANT: Your proof of purchase is evidence of warranty claim for repair or replacement. Keep your proof of purchase, manual and original packaging.

ATTENTION: Use of sound components can impair your ability to hear necessary traffic sounds and may constitute a hazard while driving your automobile.

AUDIO SYSTEMGERMANY accepts no liability for hearing loss, bodily injury or property damage as a result of use or misuse of our products. We recommend installing the equipment by an authorized service center or dealer. A professional fitting and connection is the requirement for further warranty and perfect sound.

H-340.1 D / H-200.1

- 1-Channel digital Mono-High-Power amplifier / 1-Channel Mono-High-Power amplifier
- High efficiency of max. 86 %
- Stable into 2 Ohm mono
- Variable Low Pass Filter from 40 to 220 Hz and variable Subsonicfilter from 20 to 100 Hz
- Variable Phase Shift from 0° to 180°
- Input Sensitivity from 0,2 to 6 V
- Multi-Way Protection Circuitry: overheating, overcurrent, short circuitry and speaker DC protection
- Operation Voltage from 10 to 16 V
- Wired Remote Controller **RTC**
- High-Level-Input with automatically TURN ON
- Adapter cable **HLAC** und **RCA** HI(optional)
- Very fast and correct 3-stage Music Detection



CO-650.1 D / CO- 700.1 D 24 V

- 1-Channel digital Mono-High-Power amplifier
- High efficiency of max. 84 %
- Stable into 2 Ohm mono
- Variable Low Pass Filter from 30 to 150 Hz and variable Subsonicfilter from 10 to 50 Hz
- Variable Phase Shift from 0° to 180°
- Input Sensitivity from 0,3 to 8 V
- Multi-Way Protection Circuitry: overheating, overcurrent, short circuitry and speaker DC protection
- Operation Voltage from 10 to 16 V / 20 to 32 V
- Wired Remote Controller **RTC**
- High-Level-Input with automatically TURN ON
- Adapter cable **HLAC** und **RCA** HI(optional)



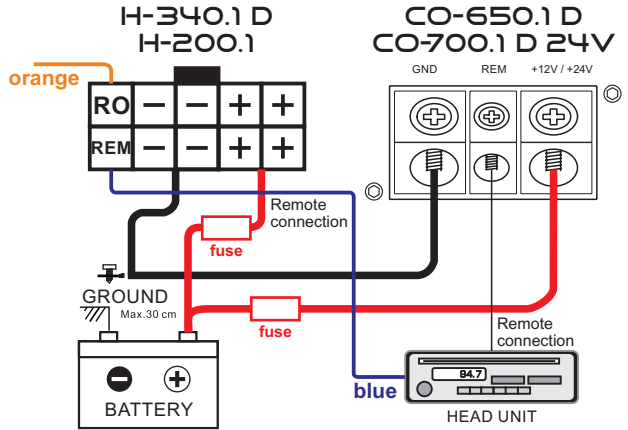
H-340.1 D / H-200.1 / CO-650.1 D / CO-700.1 D 24 V

1. Battery disconnection:

First, disconnect the power supply of the vehicle by removing the ground cable of the battery.

2. Ground connection:

Connect the GND (ground) connection of the amplifier with the car chassis. Keep this cable as short as possible (not longer than 50 cm) and use a suitable cross section (AWG size 7-5). Make sure, that the connection with the vehicle chassis is free of paint, dirt and dust.



3. +12 V Power connection (+24 V in CO-700.1 D 24 V):

Connect the +12 V (+24 V in CO-700.1 D 24 V) contact of the amplifier with the supply cable via a fuse directly to the vehicle battery. Keep in mind, that the length of the cable from fuseholder to vehicle battery has to be maximum 30cm. For the amplifier to function at its best, use a high quality fuse holder and suitable cable preferably AWG 7-5 cable. This fuse protects the amplifier and the vehicle against the possibility of a short circuit in the power cable.

4. Remote connection:

Connect the REM-terminal of the amplifier to the remote-output (automatic 12 V (+24 V in CO-700.1 D 24 V) antenna-output) of the head unit. Use a 0,5 - 1,5 mm power cable. The H-340.1 D + H-200.1 have a remote out (RO) for additional amplifier.



ATTENTION



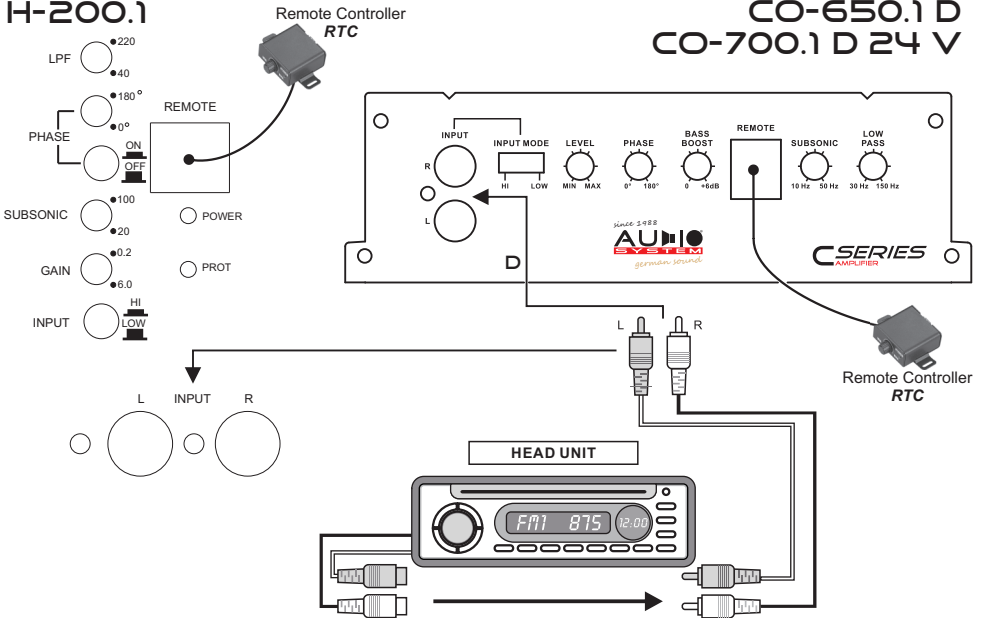
Please follow the instructions during the installation of your amplifier:

- Take care of a professional attachment. Pay attention, that no electrical cable, gas tank, hydraulic breakes or other components get damaged.
- There has to be enough cooling and air circulation. Avoid the installation in small closed boxes or close to heating parts.
- Protect the amplifier from fluids, wetness, heat and foreign material as well as from other influences.
- The amplifier is only to be built into vehicles with a 12 V DC power supply (+24 V in CO-700.1 D 24 V).
- Never install the power supply cable with other original wires of the vehicle (gas cables), fan motors, brand control moduls etc.
- Install the signal cable (cinch cable) as well as the speaker cable far away of the power cables to avoid troubles with the music signal.
- The cables of your amplifier have to be installed, so that there is no danger of binding, squeezing or breaking.

H-340.1 D

H-200.1

CO-650.1 D
CO-700.1 D 24 V



The **H/C SERIES** amplifier offers RCA-Inputs, which are connected through cinch cables with the preamplifier-outputs of the head unit. If the head unit (OEM-RADIO) has no RCA-Output, than it is possible to connect the speaker output direct to RCA/Cinch-Input of the amplifier.

The Input Mode has to be switched on "HI". **Important:** the Gain-Controller has to be adjusted to minimum, then carefully turn up the volume. If signal is presented, the amplifier automatically turns on. Adaptercable **HLAC** and **RCA HI** can be purchased at your specialized dealer.

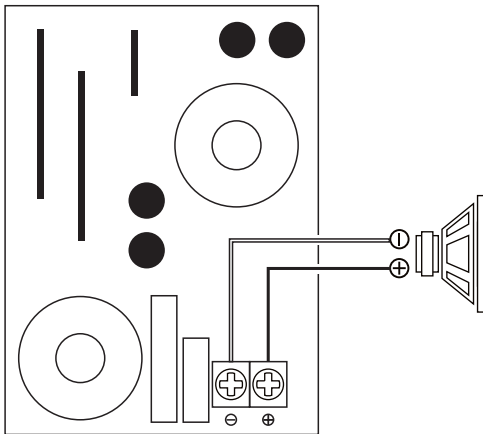
With the aid of the variable subsonicfilter, lowpassfilter, phase shift-controller, bass boost (only **CO-650.1** and **CO-700.1 D 24 V**) and the gain-controller you are able to adjust the amplifier on to your preferred taste of hearing, the circumstances of the vehicle and to the speakers.

Optional a wire remote controller **RTC** can be installed to adjust the output level.

In this regard, **AUDIO SYSTEM GERMANY** recommends to adjust your amplifier through a specialized service center, dealer or a specialist.

H-340.1 D + H-200.1

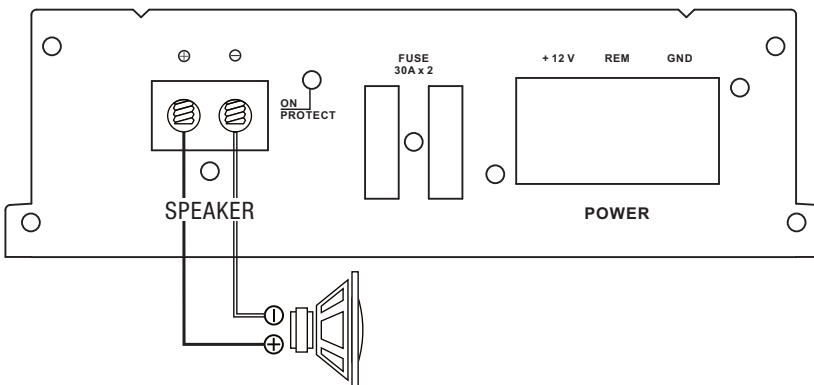
Mono



Speaker
Impedance
2 ~ 8 Ohm

CO-650.1 D / CO-700.1 D 24 V

Mono



Speaker
Impedance
2 ~ 8 Ohm

Please note that this units are mono block units and have only one channel. Connecting to either the positive or negative of either of the two connections will end in the same result as both positive connections (or both negative connections) are tied together inside the unit. For example, if you connect two 4 ohm subwoofers, the amp will parallel the connections for a 2 ohm load.

This power amplifier is featured with an efficient protection system to prevent any damages like over-heating, overvoltage, short-circuit and DC at the loudspeaker output.
 Occuring an error the protection-LED will light in red. In order to check the problem, first turn down all levels of the head unit, afterwards turn it off.

AMPLIFIER IS NOT POWERED UP, NO LED IS LIGHTENING	<ul style="list-style-type: none"> - ground connection professional connected? - +12V powercable professional connected? - remote cable professional connected? - fuses inserted and alright? - analyze voltage on the amplifier.
PROTECTION LED ILLUMINATES GREEN WHILE AMPLIFIER IS SOUNDLESS	<ul style="list-style-type: none"> - cinch cable alrith and professional connected - loudspeaker professional connected? - head unit alright?
PROTECTION LED ILLUMINATES RED WHEN AMPLIFIER IS POWERED UP	<ul style="list-style-type: none"> - amplifier too hot? - short-circuit at the loudspeaker output? - short-circuit caused by loudspeaker cable with vehicle chassi (ground)? - input voltage too high (e.g.faulty generator)?
OVERHEATING (PROTECTION LED ILLUMINATES RED WHEN AMPLIFIER IS POWERED UP)	<ul style="list-style-type: none"> - impedance alright? - loudspeaker error? - adequate airflow of the amplifier? <p style="text-align: center;">! CAUTION ! After cooling down, the amplifier turns on automatically.</p>
ERROR IN AMPLIFIER FUSE	<ul style="list-style-type: none"> - ground professional connected? - loudspeaker impedance alright? <p style="text-align: center;">! CAUTION ! Make sure when changing fuses to use the same value.</p>
SOUND TOO LOW OR LOW-DISTORTED SOUND	<ul style="list-style-type: none"> - input level control "GAIN" is set to match the head unit? - output level control of the head unit alright? - loudspeaker error? - loudspeaker cable checked? - crossover frequencies has been properly set? (Check head unit, amplilfier, DSP, soundprozessor, equalizer, frequency bandpassfilter...)
HIGH HISS-ENGINE NOISE IN SPEAKERS	<ul style="list-style-type: none"> - ground connection professional connected? - short-circuit caused by loudspeaker cable with vehicle chassi (ground)? - cinhcable (RCA) and/or loudspeaker cabel installed too close to the power connection cable? - cinch ground (RCA) of the head unit alright?

⚠ ATTENTION ⚠

Please contact your specialized dealer if the amplifier is still not working after it has been checked with the error list!

For warranty adjustement / repairs the original invoice has to be attached!
Opening the power amplifier is leading to a lost of warranty in either case!

H-340.1 D / H.200.1

Power Supply Voltage	10 - 16 V
Rated Power Output at 14,4 V	
-RMS power @ 8 ohm mono	1x 140 W
-RMS power @ 4 ohm mono	1x 235 W / 1x 135 W
-RMS power @ 2 ohm mono	1x 340 W / 1x 200 W
Signal to Noise Ratio	>96 dB
Low Pass Crossover	40 ~ 220 Hz
Subsonic filter	20 ~ 100 Hz
Frequency Response	20 Hz ~ 220 Hz (+/- 1 dB)
THD@RMS Watts	< 0,048%
Fuse Rating	1x 20 A / 1x 20 A
Input Sensitivity	200 mV ~ 6 V (+/- 5%)
Dimensions	210(L) x 50(H) x 135(W) mm



CO-650.1 D / CO- 700.1 D 24 V

Power Supply Voltage	10 - 16 V / 20 - 32 V
Rated Power Output at 14,4 V / 28,8 V	
-RMS power @ 8 ohm mono	1x 250 W / 1x 300 W
-RMS power @ 4 ohm mono	1x 400 W / 1x 450 W
-RMS power @ 2 ohm mono	1x 650 W / 1x 700 W
Signal to Noise Ratio	>96 dB
Low Pass Crossover	30 ~ 150 Hz
Subsonic filter	10 ~ 50 Hz
Frequency Response	10 Hz ~ 150 Hz (+/- 1 dB)
THD@RMS Watts	< 0,051%
Fuse Rating	2x 30 A / 2x 15 A
Input Sensitivity	300 mV ~ 8 V (+/- 5%)
Dimensions	230(L) x 47(H) x 171(W) mm



AUDIO SYSTEM GERMANY
FALLTORSTRASSE 6 - 76707 HAMBÜCKEN

DESIGNED AND ENGINEERED BY AUDIO SYSTEM GERMANY