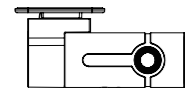
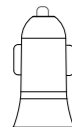


PACKAGE CONTENTS



Car Camera×1



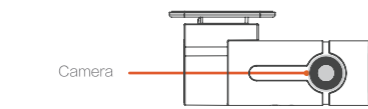
USB Car Charger×1



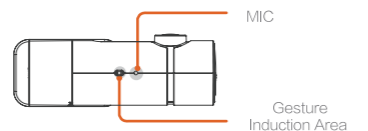
Power Cable×1
(GPS Optional)

- 2 -

PRODUCT PICTURE AND FUNCTION

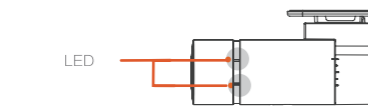


Camera

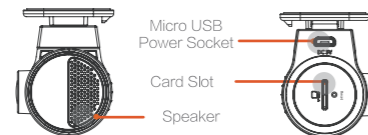


MIC

Gesture Induction Area



LED



Micro USB Power Socket

Card Slot

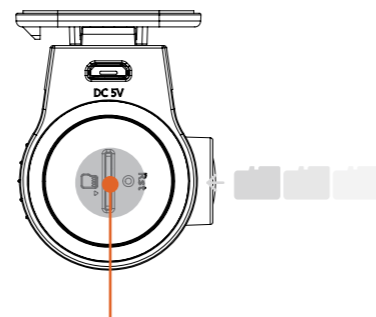
Speaker

LED Definition:
Red: Flashing when recording;
Green: Mobile phone connected;

- 3 -

OPERATION

1.Insert TF card



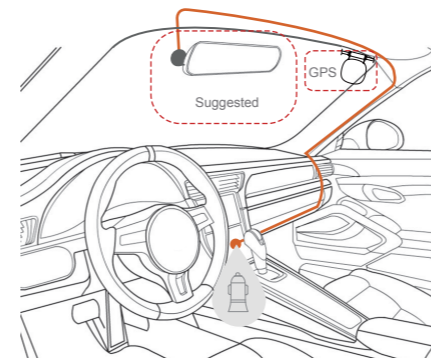
Card Slot

Car camera supports up to 64GB TF card, and Class 10 TF card is required.

2.Fix the camera

As shown below

- 4 -



2.1 Fix the camera on the inside surface of the windshield. The area near the rear-view mirror is suggested.

2.2 Connect the USB power cable with camera and car charger, hiding the cable like the sketch map above.

2.3 When the vehicle starts up, the camera will boot up automatically with the voice "hello".

3.Connect the camera to mobile phone

- 5 -

Settings--- WLAN--- Select "M-XXXXX"---Enter password "12345678"--- Join--- OnReal App--- Succeeded.

4.Take a photo or a short video

The hands across the camera gesture area to take a photo. Switch the "Photography with video" option in the camera settings to record a 10s short video(5s before and 5s after the action of your photography). You can download the photos and videos to your mobile phone in the Album page.

5.GPS(Optional)

The GPS module is embedded in the power cable, which gets of the position and speed of vehicles and records the track of each traveling. The GPS module is embedded in the power.

Notes:For faster position , the GPS must be pasted as far as possible to the camera, and making sure the 3M sticker toward the sky and do not be blocked.

6.Video on live , playback and download

On live: When the mobile phone is connected to the camera, you can see the camera "Online" in the Carcam page, click it to preview the Real-time video.

- 6 -

Playback: Click the video icon in the Onlive page and select the videos you need.

7.Update

The camera has an OTA updating system, you will receive the latest firmware by the Carcam app. Click the "Send Firmware and Upgrade" in the camera settings to complete the updating.

8.Other settings

Enter the settings page to modify the general settings. You can change the G-sensor sensitivity, mic switch, volume, etc.

9.Reset

Press the reset button for a few seconds to reset camera, the default Wi-Fi password is 12345678.

- 7 -

SPECIFICATIONS

1.Hardware

CPU: Hisilicon3561C_V200
Image sensor: Panasonic CMOS sensor.
Lens: 6-glasses, 152° Wide Angle, F1.8 .
Wi-Fi: 2.4GHz, 802.11b/g/n.
G-sensor: accelerometer.

2.Technical Parameters

Video information: 1920*1080(16:9), @30fps, *.mp4.
Audio information: 8KHz, 2 channels, AAC.
Photo information: 1920*1080, *.JPG.
Storage: Class 10 TF card, up to 64GB.
Working temperature: -20°C----70°C.
Working voltage& current: DC 5V& 1A.
Video processing: 3D denoising, image enhancement, LDC correction, etc.

- 8 -